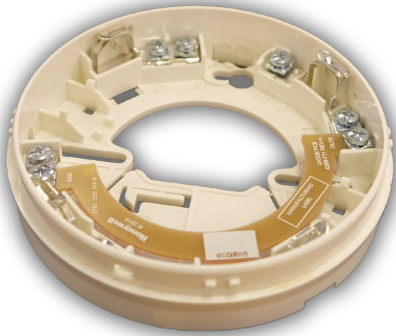


Base for ES Detect range (805590-D)



The Base (805590-D) is for use with compatible ES detect range of conventional fire detectors, which can be used on zone circuits of compatible conventional fire panels, mains powered interfaces and LV interface.

Technical data

Ambient temperature	-20°C to +54°C
Ambient humidity	< 95% relative humidity (non condensing)
Storage temperature	-25°C to +70°C
Terminals	1.5mm ² to 2.5mm ²
Housing	ABS-V0
Colour	White (RAL 9010)
Weight	60g approximately
Dimensions	Depth 24 mm x 115 mm diameter

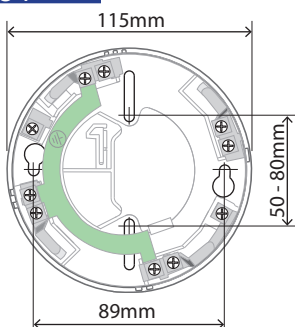
Compatible fire detectors

Part Ref	Description
800171	Fixed Heat detector
800177	Fixed Heat Class B detector
800271	Rate of Rise Heat detector
800371	Optical detector
800374	Dual Angle Optical detector
781814	Remote indicator

Do's and Dont's

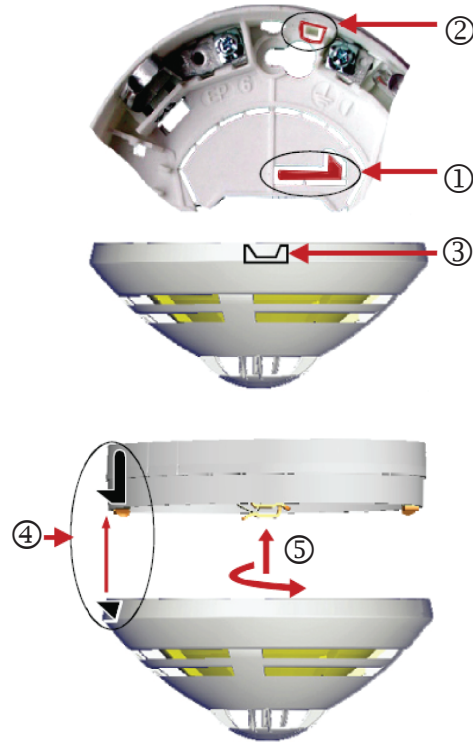


Base fixing points



Locking

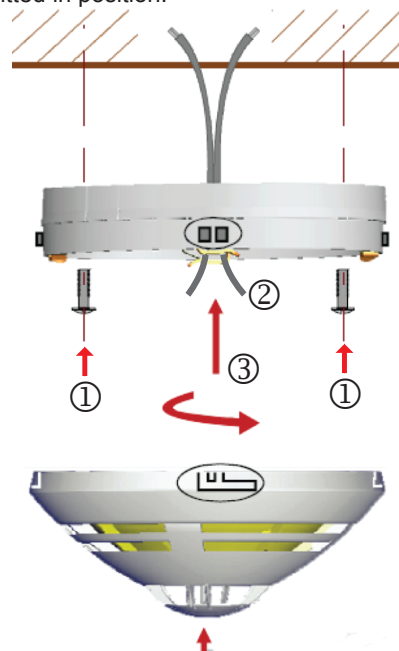
To lock a detector to the base, remove the locking insert ① and fit it in position ②. Cut away at ③ to ensure removal of detector from base.



To unlock a locked detector, push back the locking insert ④ to disengage the detector from base and turn the detector anticlockwise to remove.

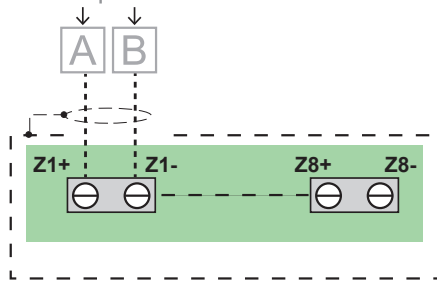
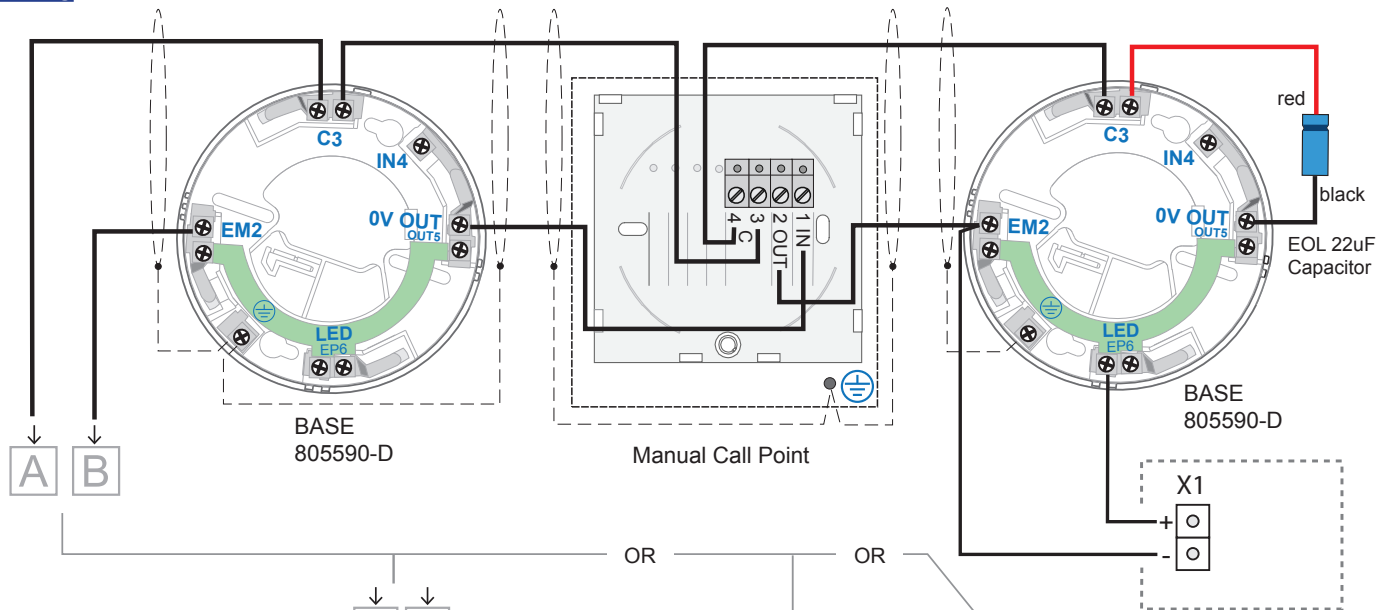
Mounting

Insert cables through the base ②, fix the base to ceiling ① using suitable fixing and connect cables, see wiring. Place the detector on base ③ with slight pressure turn detector until it drops into the base, continue turning until you feel/hear it is fitted in position.



Base for ES Detect range

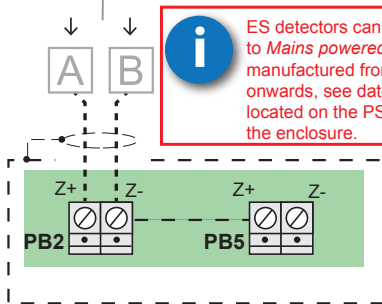
wiring



Wiring to a Zone of a Conventional fire panel

GENT Xenex Panels
13270-02LB
13270-04LB
13270-08LB

SMS FP585 panels
75585-02NMB
75585-04NMB
75585-08NMB



i ES detectors can only be connected to Mains powered interface unit manufactured from November 2015 onwards, see date on the label located on the PSU cover inside the enclosure.

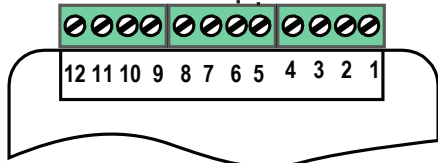
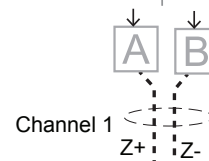
Wiring to a Mains interface unit installed in a Vigilon or SENTRI fire panel based system

GENT range
S4-34440-02
S4-34440-12

SMS range
78302-02NM



Remote LED Unit
781814



Wiring to an LV interface unit installed in a Vigilon or SENTRI fire panel based system

GENT LV Interfaces:
S4-34410
S4-34450

SMS LV interfaces:
SEN-INT-INPUT
SEN-INT-4IO

i Only channel 1 (terminals 5 & 6) can be configured as zone input.

At the end of their useful life, the packaging, product and batteries should be disposed of via a suitable recycling centre and in accordance with national or local legislation.

WEEE Directive:
At the end of their useful life, the packaging, product and batteries should be disposed of via a suitable recycling centre.
Do not dispose of with your normal household waste.
Do not burn.

Honeywell Gent reserves the right to revise this publication from time to time and make changes to the content hereof without obligation to notify any person of such revisions of changes.

	Hamilton Industrial Park, Waterside Road, Leicester LE5 1TN, UK.	Website: www.gent.co.uk
	Telephone: +44 (0) 116 246 2000	Tech. Support www.gentexpert.co.uk