

# Base for ES Detect range (805590-D)



The Base (805590-D) is for use with compatible ES detect range of conventional fire detectors, which can be used on zone circuits of compatible conventional fire panels, mains powered interfaces and LV interface.

### Technical data

Ambient temperature	-20°C to +54°C
Ambient humidity	< 95% relative humidity (non condensing)
Storage temperature	-25°C to +70°C
Terminals	1.5mm <sup>2</sup> to 2.5mm <sup>2</sup>
Housing	ABS-V0
Colour	White (RAL 9010)
Weight	60g approximately
Dimensions	Depth 24 mm x 115 mm diameter

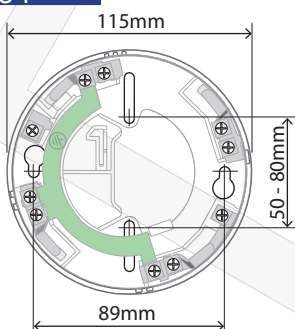
### Compatible fire detectors

Part Ref	Description
800171	Fixed Heat detector
800177	Fixed Heat Class B detector
800271	Rate of Rise Heat detector
800371	Optical detector
800374	Dual Angle Optical detector
781814	Remote indicator

### Do's and Dont's

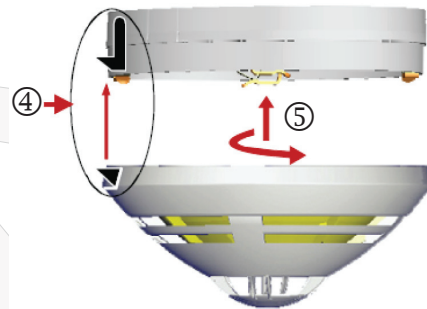
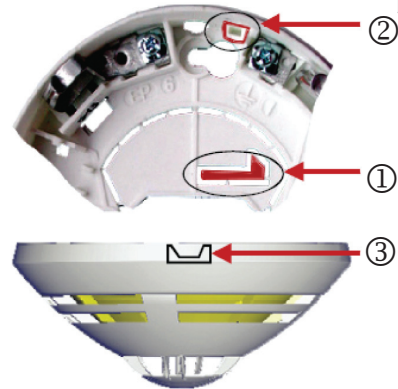


### Base fixing points



### Locking

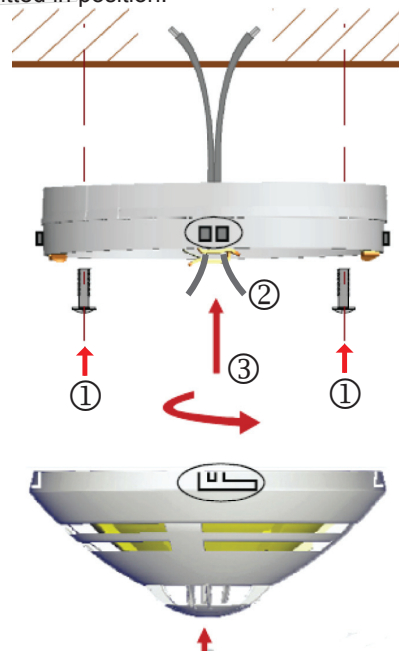
To lock a detector to the base, remove the locking insert ① and fit it in position ②. Cut away at ③ to ensure removal of detector from base.



To unlock a locked detector, push back the locking insert ④ to disengage the detector from base and turn the detector anticlockwise to remove.

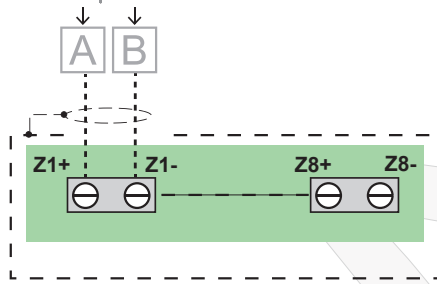
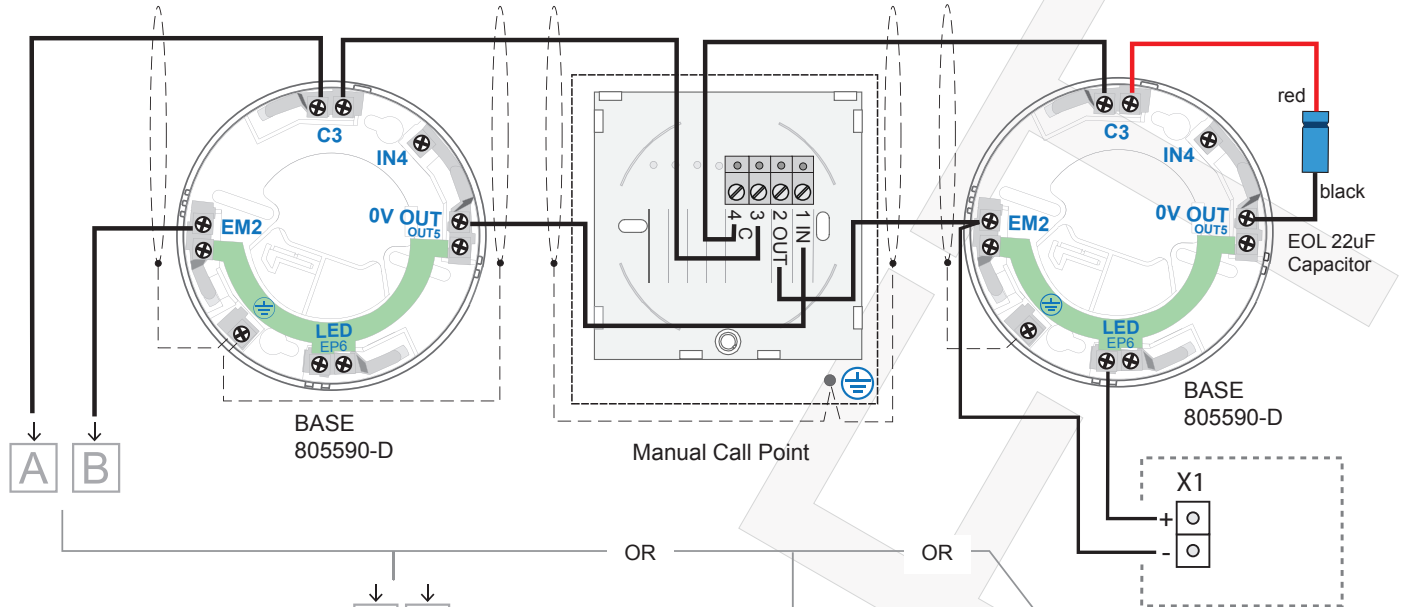
### Mounting

Insert cables through the base ②, fix the base to ceiling ① using suitable fixing and connect cables, see wiring. Place the detector on base ③ with slight pressure turn detector until it drops into the base, continue turning until you feel/hear it is fitted in position.



# Base for ES Detect range

## wiring



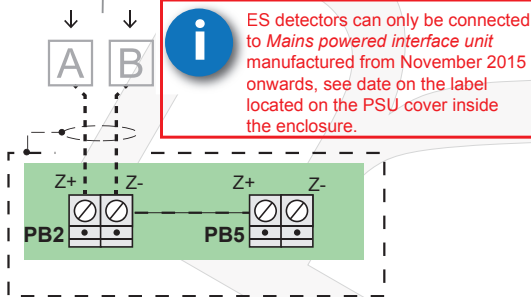
### Wiring to a Zone of a Conventional fire panel

GENT Xenex Panels  
13270-02LB  
13270-04LB  
13270-08LB

SMS FP585 panels  
75585-02NMB  
75585-04NMB  
75585-08NMB



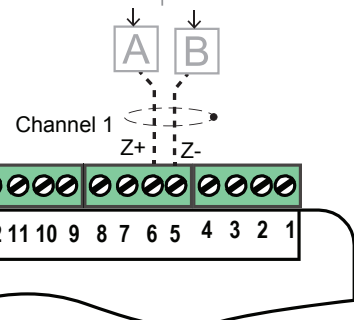
Remote LED Unit  
781814



### Wiring to a Mains interface unit installed in a Vigilon or SENTRI fire panel based system

GENT range  
S4-34440-02  
S4-34440-12

SMS range  
78302-02NM



### Wiring to an LV interface unit installed in a Vigilon or SENTRI fire panel based system

GENT LV Interfaces: S4-34410  
S4-34450

SMS LV interfaces:  
SEN-INT-INPUT  
SEN-INT-4IO

**i** Only channel 1 (terminals 5 & 6) can be configured as zone input.

At the end of their useful life, the packaging, product and batteries should be disposed of via a suitable recycling centre and in accordance with national or local legislation.

**WEEE Directive:**  
At the end of their useful life, the packaging, product and batteries should be disposed of via a suitable recycling centre.  
Do not dispose of with your normal household waste.  
Do not burn.

Gent by Honeywell reserves the right to revise this publication from time to time and make changes to the content hereof without obligation to notify any person of such revisions of changes.

<b>Honeywell</b>	Hamilton Industrial Park, Waterside Road, Leicester LE5 1TN, UK.	Website: <a href="http://www.gent.co.uk">www.gent.co.uk</a>
	Telephone: +44 (0) 116 246 2000	Tech. Support <a href="http://www.gentexpert.co.uk">www.gentexpert.co.uk</a>