

582475 (L-VBM20A/EN) 20 W Bidirectional Sound Projector

- **Intelligible voice and superior sound reproduction**
- **Ceiling or wall mount**
- **Meets virtually any outdoor requirements**
- **Water and dust protected to IP 65**
- **Complies with EN 54-24 standard**



This loudspeaker is a high-performance 20 W voice alarm bidirectional sound projector. It provides a broad frequency response range, low distortion and high sound pressure level for accurate and intelligible broadcast of evacuation messages and high quality sound reproduction. It can be used in indoor, outdoor, dry, or wet applications, providing reliable operations over wide temperature and humidity ranges. Bidirectional loudspeaker is the best choice for applications such as tunnel, gallery and shopping arcade.

This voice alarm bidirectional sound projector complies with BS 5859 part 8 and EN 54 part 24.

Mounting

This bidirectional loudspeaker can be directly installed at ceiling or wall.

Power setting

The product comes with a one meter, fire resistant six core cable already attached to the ceramic connector. The cable is a bundle of wires color coordinated corresponding to the different power taps of the transformer. The cable connector is mounted on the back cover for easy installation.

Technical Specifications

Electrical

Max. power	30 W
Rated power	20 W (10 W x 2)
Power tapping	20 W / 10 W / 15 W / 2.5 W
SPL @ 1 W / 1 m (100 Hz ~ 10 kHz)	87 dB
SPL @ 20 W / 4 m (100 Hz ~ 10 kHz)	87 dB
Frequency range	150 Hz ~ 20 kHz
Rated input voltage	100 V / 70 V
Rated impedance	500 Ω / 1 k Ω / 2 k Ω / 4 k Ω
Connection	Fire resistant cable

Mechanical

Dimensions	Ø 140 mm x 140 mm x 195 mm
Diameter of speakers	5.25 " x 2
Weight	3.23 kg
Color	White (RAL 9003)
Material	Aluminium
IP rating	IP 65

Environmental

Operating temperature	- 25 °C ... + 55 °C
Storage temperature	- 40 °C ... + 70 °C
Relative humidity	< 95 %

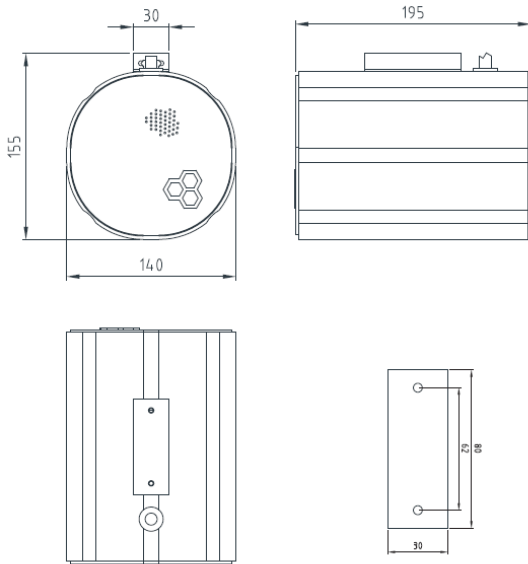
Order Information

Catalog description	20 W bidirectional sound projector
Part number	582475
Type	L-VBM20A/EN
DoP number	CPR-DoP-2013003

Additional order information can be found in the product catalog "VAPA System VARIODYN D1".

- * The reference axis is perpendicular to the centre point of the front grille
- * The reference plane is perpendicular to the centre of the reference axis
- * The horizontal plane is perpendicular to the centre of the reference plane
- * The spec/data was measured using a standard baffle mounting in an anechoic chamber as described in EN 54-24

Diagram



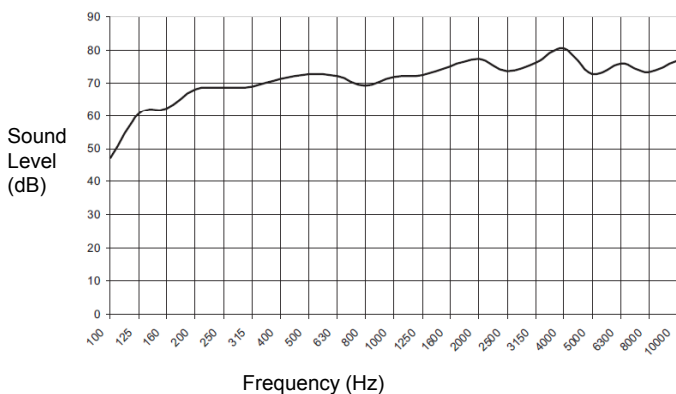
Dimensions in mm

With Transformer: 100 V / 70 V line

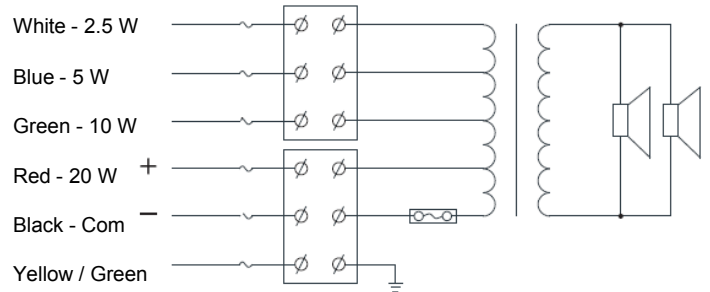
	Red	Green	Blue	White	Black
100 V	20 W	10 W	5 W	2.5 W	Com
70 V	10 W	5 W	2.5 W	1.25 W	Com
IMP (Ω)	500	1 K	2 K	4 K	

Frequency Response

Frequency response at 100 V / 4 m / 1/3 oct. smoothing



Circuit Diagram



Dispersion Angles

		Horizontal	Vertical
1 oct. pink noise	500 Hz	128 °	127 °
1 oct. pink noise	1 kHz	161 °	162 °
1 oct. pink noise	2 kHz	148 °	111 °
1 oct. pink noise	4 kHz	59 °	56 °