

Optical / Acoustic Devices

Description

Thanks to the new design, a high performance LED, high sound quality with 32 selectable shades and a super omnidirectional light cover, these sirens can be installed in different environments. The targeted optical / acoustic series is compatible with the NOTIFIER Italia Firefighting Series AM series. All devices are equipped with an integrated insulator and certified EN54 part 17.



Advantages

- > Simple, fast installation
 - Easier insertion of cables into the device
 - Ease of cable insertion
 - Continuity of the loop
- > Versatile installation
 - Low power consumption that allows multiple devices to be installed on the loop
 - Adjustable volume
 - Compatible with different bases.
- > Features
 - High quality materials for longer durability
 - UV resistant materials
 - Robust construction for impact resistance
 - Common base with detectors (B501AP)
 - Compatible with different protocols
 - 32 selectable tones
- > Performance
 - Greater coverage thanks to LED technology
 - Advanced protocol that allows you to control audio output, tone selection, and independent sound control.

VAD-PC-I02: VISUAL SIGNALLING DEVICE EN54-17/23

VAD Electronic addressable with strain. Black Body, White LED with clear lens. Powered directly from the loop. It requires mounting bracket. CPR certified according to EN 54 shares 17:23 C & W Category C3-5,1 W 2.4-2.7).

Electrical Specification

Supply Voltage: 15 a 29Vcc
 Standby current: 450 μ A
 Consumption 31mA @ 24Vcc
 Consumption Max.: 40mA @ 20Vcc
 Rate 0.5Hz

Environmental Specification

Operating temp: -25C° ÷ 70C°
 Relative Humidity: 93% \pm 3% no-condensing
 Ingress Protection: IP21C (with low profile base)
 IP65 (waterproof base)

Mechanical Specification

Colour: White
 Lens colour: Clear
 Weight: 210g
 Terminal size: 1.5 - 2.5mm² max

Approvals

Approved to: EN54-23 category C & W
 EN54-17

WSS-PC-I02: VISUAL/ACOUSTIC SIGNALLING DEVICE EN 54-3/17/23 (OPEN CLASS)



Electronic addressable sounder and strobe with white lens
CPR certified in accordance with EN54-3/17/23 (Open Class).

Electrical Specification

Supply Voltage: 15 to 29VDC
Standby current: 225µA
Consumption Max: 14.5mA (Tono 11 @15V)
Flash Rate: 1Hz

Environmental Specification

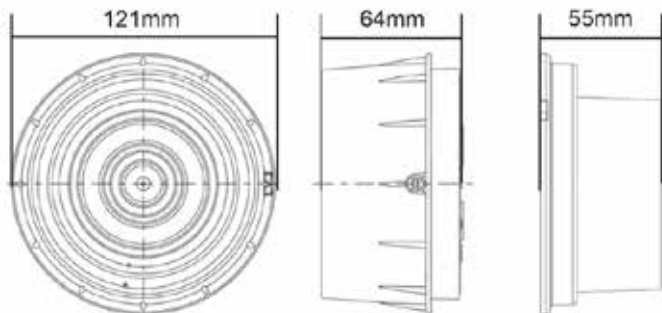
Operating temp: -25°C ÷ 70°C
Relative Humidity: 95% no-condensing
Ingress Protection: IP21C (with low profile base)
IP44 (con BRR)
IP65 (con WRR)

Mechanical Specification

Colour: White
Lens colour: Clear
Weight: 238g
Terminal size: 1.5 - 2.5mm² max
Available shades: 32
Volume: High, Medium, Low

Approvals

Approved to: EN54-3 e EN54-17



WST-PC-I02: VISUAL SIGNALLING DEVICE EN 54-17/23 (OPEN CLASS)



Electronic addressable sounder and strobe with white lens
CPR certified in accordance with EN54-23 Open Class.

Electrical Specification

Supply Voltage: 15 to 29VDC
Standby current: 225µA
Consumption Max: 5.4mA@15V
Flash Rate: 1Hz

Environmental Specification

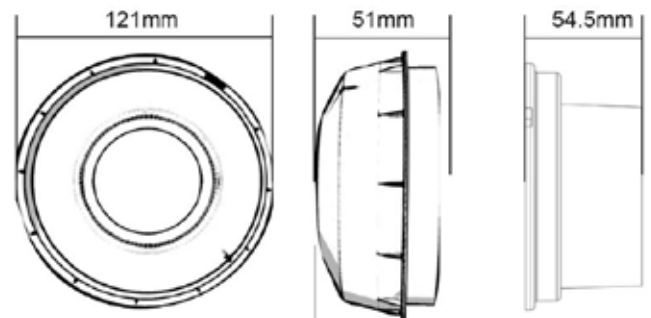
Operating temp: -25°C ÷ 70°C
Relative Humidity: 95% no-condensing
Ingress Protection: IP21C (with low profile base)
IP44 (con BRR)
IP65 (con WRR)

Mechanical Specification

Colour: White
Lens colour: Clear
Weight: 168g
Terminal size: 1.5 - 2.5mm² max

Approvals

Approved to: EN54-3 e EN54-17



WSO-PR-I02: ADDRESSABLE AUDIO/VISUAL DEVICES EN 54-3



Addressable electronic sounder with isolator and red colour. CPR certified in accordance with EN54-3.

Electrical Specification

Supply Voltage: 15 to 29VDC

Standby current: 225 μ A

Consumption Max: 11.4mA

Environmental Specification

Operating temp: -25 $^{\circ}$ \div 70 $^{\circ}$

Relative Humidity: 95% no-condensing

Ingress Protection: IP21C (with low profile base)

IP44 (con BRR)

IP65 (con WRR)

Mechanical Specification

Colour: Red

Weight: 238g

Terminal size: 1.5 - 2.5mm² max

Available shades: 32

Volume: High, Medium, Low

Approvals

Approved to: EN54-3 e EN54-17

BSO-PP-I02: ADDRESSABLE AUDIO/VISUAL DEVICES EN 54-3, EN 54-17



Detector base and addressable electronic sounder with isolator. White colour. CPR certified in accordance with EN 54-3/17.

Electrical Specification

Supply Voltage:: 15 to 29VDC

Standby current: 225 μ A

Consumption Max: 10.5mA

Environmental Specification

Operating temp: -25 $^{\circ}$ \div 70 $^{\circ}$

Relative Humidity: 95% no-condensing

Ingress Protection: IP21C (with low profile base)

IP44 (con BRR)

IP65 (con WRR)

Mechanical Specification

Colour: White

Weight: 202g

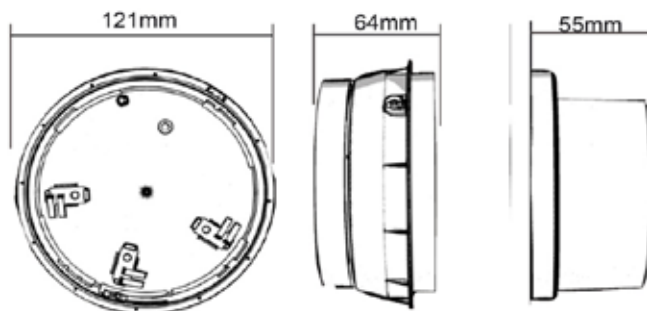
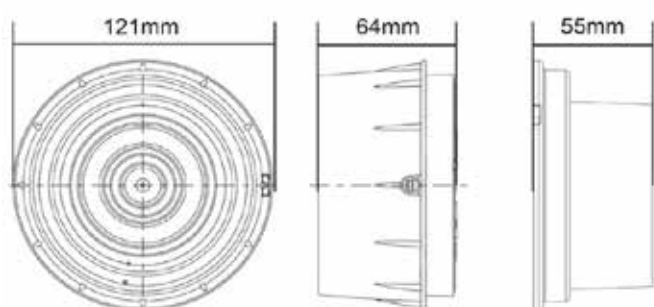
Terminal size: : 1.5 - 2.5mm² max

Available shades: 32

Volume: High, Medium, Low

Approvals

Approved to: EN54-3



BSS-PC-I02: ADDRESSABLE AUDIO/VISUAL DEVICES EN 54-3, EN 54-17



CODICE	CPR
VAD-PC-I02	0832-CPR-F1212
WSS-PC-I02	0832 - CPR - F0278
WST-PC-I02	0832 - CPR - F0271
WSO-PR-I02	0832 - CPR - 1810
BSO-PP-I02	0832 - CPR - 1814
BSS-PC-I02	0832 - CPR - 1816

Detector base and addressable electronic sounder and strobe flash, with isolator. White colour. CPR certified in accordance with EN 54-3/17.

Electrical Specification

Supply Voltage: 15 to 29VDC
 Standby current: 225µA
 Consumption Max:14mA
 Flash Rate: 1Hz

Environmental Specification

Operating temp: -25°C ÷ 70°C
 Relative Humidity: 95% no-condensing
 Ingress Protection: IP21C (with low profile base)
 IP44 (con BRR)
 IP65 (con WRR)

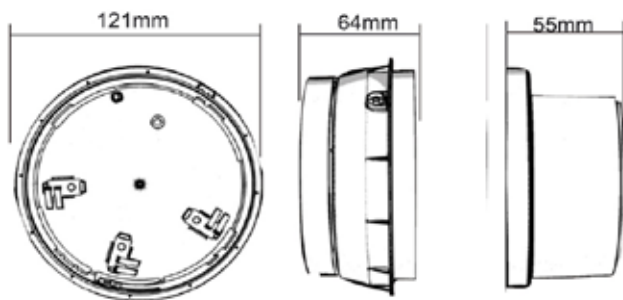
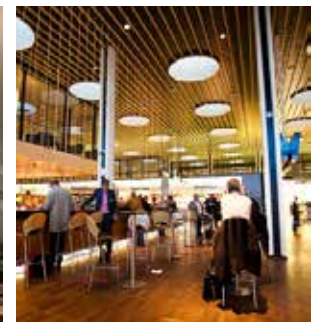
Mechanical Specification

Colour: White
 Lens colour: Clear
 Weight: 200g
 Terminal size:1.5 - 2.5mm² max
 Available shades: 32
 Volume: High, Medium, Low

Approvals

Approved to: EN54-3

Applications



Notifier Italia S.r.l.
 Via Achille Grandi 22
 20097 San Donato
 Milanese (MI)
 Italia

Tel.: +39 02 51 89 71
 Fax: +39 02 51 89 730
 E-Mail: notifier.milano@notifier.it
www.notifier.it