

ASSIST CALL REPEATER EVCS-ACR

The Honeywell EVCS-ACR is ideal for mounting within a reception desk or on a wall due to its compact size and pleasing aesthetics.

It connects to the Honeywell network via the nearest EVCS-EX8 or EVCS-TMS3 via fire rated cable, plugging in to an adaptor board fitted within the panel. It can be located up to 100m away and does not require a power supply and does not take a line output.

OPERATION

When the AssistCall Repeater Panel is activated, the blue alarm LED flashes and the buzzer sounds to make the user aware that there is a call.

To accept the call, touch the screen icon. The alarm LED will be continuously lit blue, and the buzzer will beep periodically to indicate the call has been acknowledged.

Acknowledging the call provides audible and visual feedback to the occupant of the WC that help is on the way.

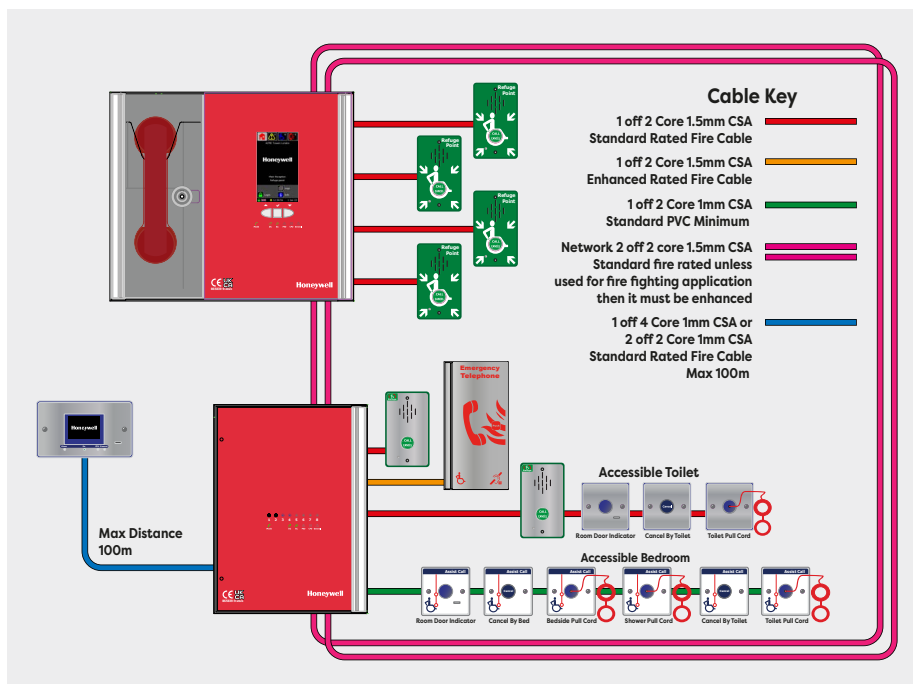
Up to three alarms are shown on the screen at any time. If further alarms are present then these can be scrolled through using the touch screen. The quantity of alarms present on the system at any time is displayed on the bottom line.

When the alarm is cancelled, the alarm LED will be extinguished and the buzzer silenced.



All Honeywell Emergency Voice Communications Systems (EVCS) are designed to comply fully with the requirements of BS5839-9: 2021 for use as a Disabled Refuge System (DRS) with integrated Emergency Assist Alarm System. The Assist Call Repeater Panel provides remote annunciation and acknowledgement of assistance alarm activation as part of a Honeywell network system.

- 2.8" TFT touch screen colour display
- High volume sounder with volume control
- Connects to EVCS-EX8 or EVCS-TMS3 panels
- Aesthetically pleasing stainless finish
- No local power required
- Can be located up to 100m from the panel using fire rated cable



ASSIST CALL REPEATER - EVCS-ACR Technical Specifications

TECHNICAL SPECIFICATION

PHYSICAL		
Height	86mm	
Width	146mm	
Depth	18mm	
Weight	160g	
Material	Stainless Steel/Blue Polycarbonate	
Finish	Brushed	
RECOMMENDED CABLES		
Type	Cores	Distance from panel
Fire rated cable	2× 2-Core or 1× 4-Core 1mm CSA	100m
STANDARDS COMPLIANCE		
EMC	EN 55035:2017+A11:2020 EN 55032:2015+A1:2020	
Product Family	BS 5839-9: 2021, BS 9999:2017, BS 8300-2:2018	
PART CODES		
Assist Call Repeater	EVCS-ACR	

CONNECTIONS

The EVCS-ACR is connected to the Honeywell EVCS network through either a EVCS-EX8 or EVCS-TMS3 panel using the supplied adaptor board. The connection from the ACR to the adaptor board is made using fire rated cable, with either 2× 2-cores or 1× 4-core being used. A supplied Cat5 cable then connects the adaptor board to the display on the door of the panel.

MOUNTING

The EVCS-ACR is not supplied with a back-box as it can be used with any "MK" style double gang back-box over 25mm deep. To accept cable glands the back box needs to be 35mm deep including metal clad surface types and plastic plasterboard liner boxes.

The unit should be placed in a permanently staffed area in accordance with Building Regulations Document M (Access for the Disabled) and BS8300-2:2018.

When flush mounting use the back-box manufacturers recommended cut out.

Honeywell Fire

Building 5, Carlton Park,
King Edward Avenue
Narborough,
LEICESTER, LE19 0AL
United Kingdom
www.honeywell.com